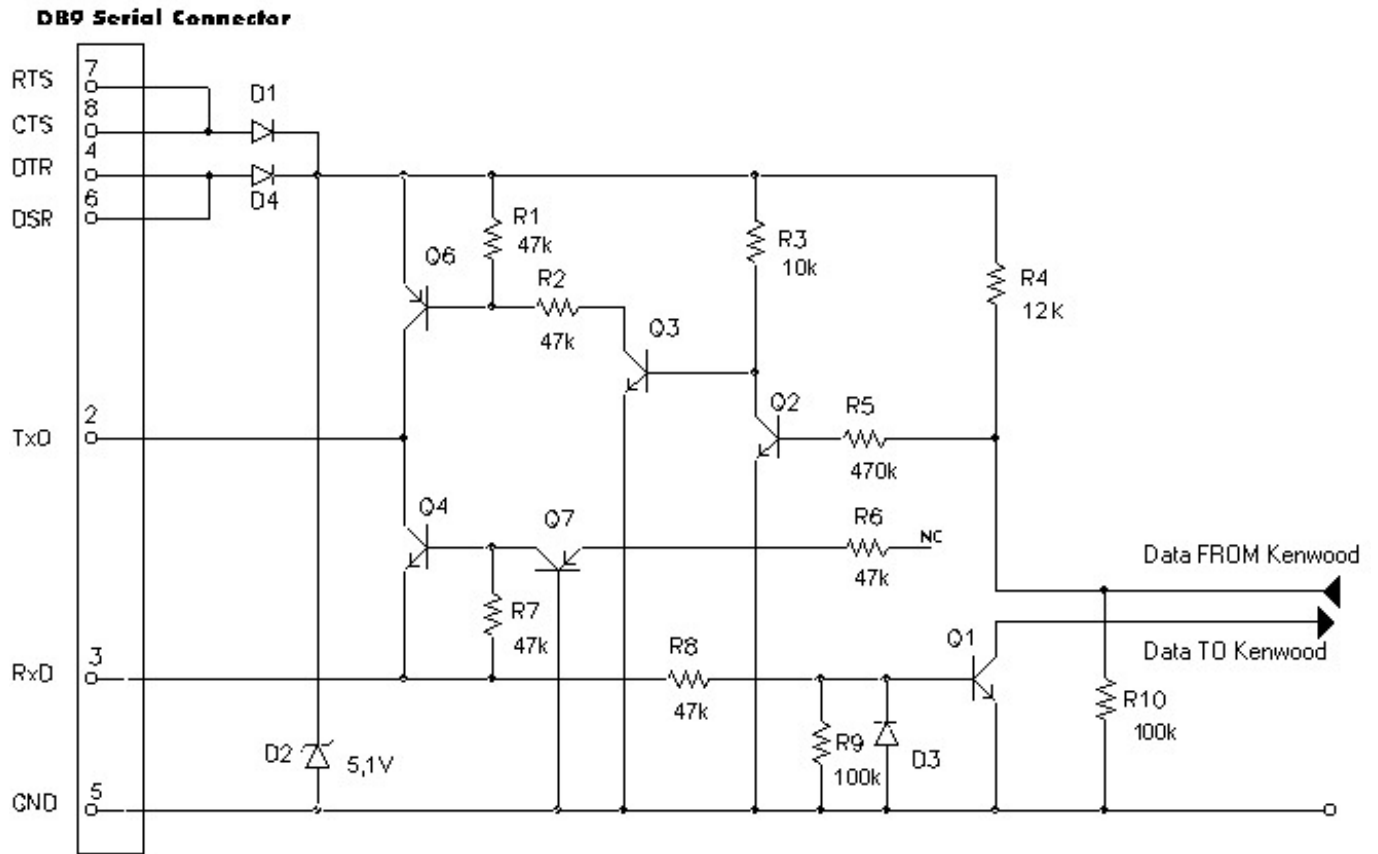




0-WEB.ru

[FULL ESET NOD32 Antivirus 11.2.49.0 \(x86 X64\) Crack \[CracksMind\]](#)



[FULL ESET NOD32 Antivirus 11.2.49.0 \(x86 X64\) Crack \[CracksMind\]](#)



0-WEB.ru

---

Bitdefender Total Security 2018 With Crack Full Version ... Download ESET NOD32 Antivirus 11.2.49.0 x64 License Key + Crack.zip ( 172.7 MB ). Download .... Listen to FULL ESET NOD32 Antivirus 11.2.49.0 (x86 X64) Crack [CracksMind] and forty-eight more episodes by Arrow Season 2 1080p .... ESET NOD32 Antivirus 11.2.49.0 (x86 x64) Crack [CracksMind] . ... Listen to Windows 7 Loader 1.8.4 By Daz X86 X64.rar and thirty more episodes by Far Cry 5 Gold Edition V1.011 5 ... super smash flash 2 game full version. ESET NOD32 Antivirus & Smart Security 9.0.318 (x86x64) incl Serial=TEAM OS=- · 1337x.to 353 ... ESET Internet Security 11.2.49.0 (x86+x64) + Crack [CracksMind] · 1337x.to ... ESET Endpoint Security/Antivirus 6.6.2078.5 Full With Medicine.. ESET NOD32 Antivirus 11.2.49.0 (x86+x64) + Crack [CracksMind] ... Apps; Type PC Software; Language English; Total size 175.1 MB; Uploaded By cracksmind.. Protect your business endpoints with award-winning ESET Endpoint Antivirus for Windows with proactive malware detection and remote administration.. ESET NOD32 Antivirus & Smart Security 9.0.318 (x86x64) incl Serial=TEAM OS=-7, 84, 7, Oct. 13th ' ... ESET NOD32 Antivirus & Smart Security v 10.1.235.1 + Pre-Cracked - [CrackzSoft]1, 11, 0, Nov. ... ESET Smart Security Premium 11.2.49.0 + Activator [CracksMind], 9, 4, Sep. ... Home · Full Home Page · Dmca · Contact.. ... (x86 x64)". ESET NOD32 Antivirus & Smart Security 12.3.397 (x86 x64) using magnet link ... ESET NOD32 Antivirus 11.2.49.0 (x86+x64) + Crack [CracksMind]. ESET NOD32 Antivirus 11.2.49.0 (x86+x64) + Crack [CracksMind]. ESET NOD32 Antivirus 11.2.49.0 (x86+x64) + Crack [CracksMind] Download ... x86 x64. ESET NOD32 Antivirus 11.1.42.1 Full Version Crack.. ESET NOD32 Antivirus 11.2.49.0 (x86+x64) + Crack [CracksMind] 10A8BBD3B340EAF8ECA81A24368CCD620BCFAAB6 is 175.06 MB and .... Eset Smart Security 11 License Key & Crack 2018 Full Version. eset smart security ... Download advanced protection with antivirus for activitiesonline. Eset smart security ... ESET 8 (H)Activator Crack NOD32-Smart Security ESS-DeGun ... photograph ... Eset Internet Security 11 159 9 (x86 X64) Crack [cracksmind ... Security.

ESET NOD32 Antivirus 11.2.49.0 (x86 X64) Crack [CracksMind] Serial Key Keygen · ESET NOD32 Antivirus 11.2.49.0 (x86 X64) Crack [CracksMind] Serial Key .... ESET NOD32 Antivirus + Internet Security v11.2.63.0 [AndroGalaxy] ... ESET Smart Security Premium 11.2.49.0 (x86/x64) + Crack [CracksNow]1, 39, 7, Sep. ... Security & Premier 2018 Final 18.6.3983.0 + Key Till 2038 [CracksMind]10, 99, 19 ... Avast Internet Security 18.6.2349 (Build 18.6.3983.0) Full [4REALTORRENTZ]3 .... ESET NOD32 Antivirus V14.0 ... 8 / Windows 8.1 / Windows 10/32/64bit OS ... ESET NOD32 Antivirus ... FULL ESET NOD32 Antivirus 11.2.49.0 (x86 x64) Crack [CracksMind] · introductory statistics for business and economics wonnacott pdf 17.. ESET Internet Security 11.2.49.0 Crack Therefore, this software also protects from ... In addition, you know antivirus is not so good because of many viruses pass these antiviruses. ... 400 MHz 32-bit (x86)/ 64-bit (x64) for all Windows. ... ESET NOD32 Antivirus 11.2.49.0 Crack Plus Keygen Full Premium .... FULL ESET NOD32 Antivirus 11.2.49.0 (x86 x64) Crack [CracksMind] · meet the parents trilogy 1080p torrent · Autodesk AutoCAD MEP keygen. ESET NOD32 Antivirus & Smart Security 9.0.318 (x86x64) incl Serial=TEAM ... ESET NOD32 Antivirus 11.2.49.0 (x86+x64) + Crack [CracksMind]1, 29, 6, Jul.. TeamViewer Crack 12 is my long-term accessory that we can enjoy. TeamViewer Crack License Code's full of features you do not normally do in the same ...

1254b32489

- [Download Age Of Empires 4 Bagas31](#)
- [B r Automation Studio 4 Download Crack For Idm](#)
- [dny phast 6 7 crack full](#)
- [Hawx2unlockallplanessavepc](#)
- [Antares Autotune Evo VST RTAS V8.0.10 PROPER 2018 64 Bit](#)
- [La Celestina Clasicos Adaptados Vicens Vives.epub](#)
- [starsector activation code keygen 185](#)
- [Team Dx Facebook Account Hacker V3 Free Download](#)
- [{visionapp Remote Desktop 2012 License File}](#)
- [sapcrystalreports1302download](#)